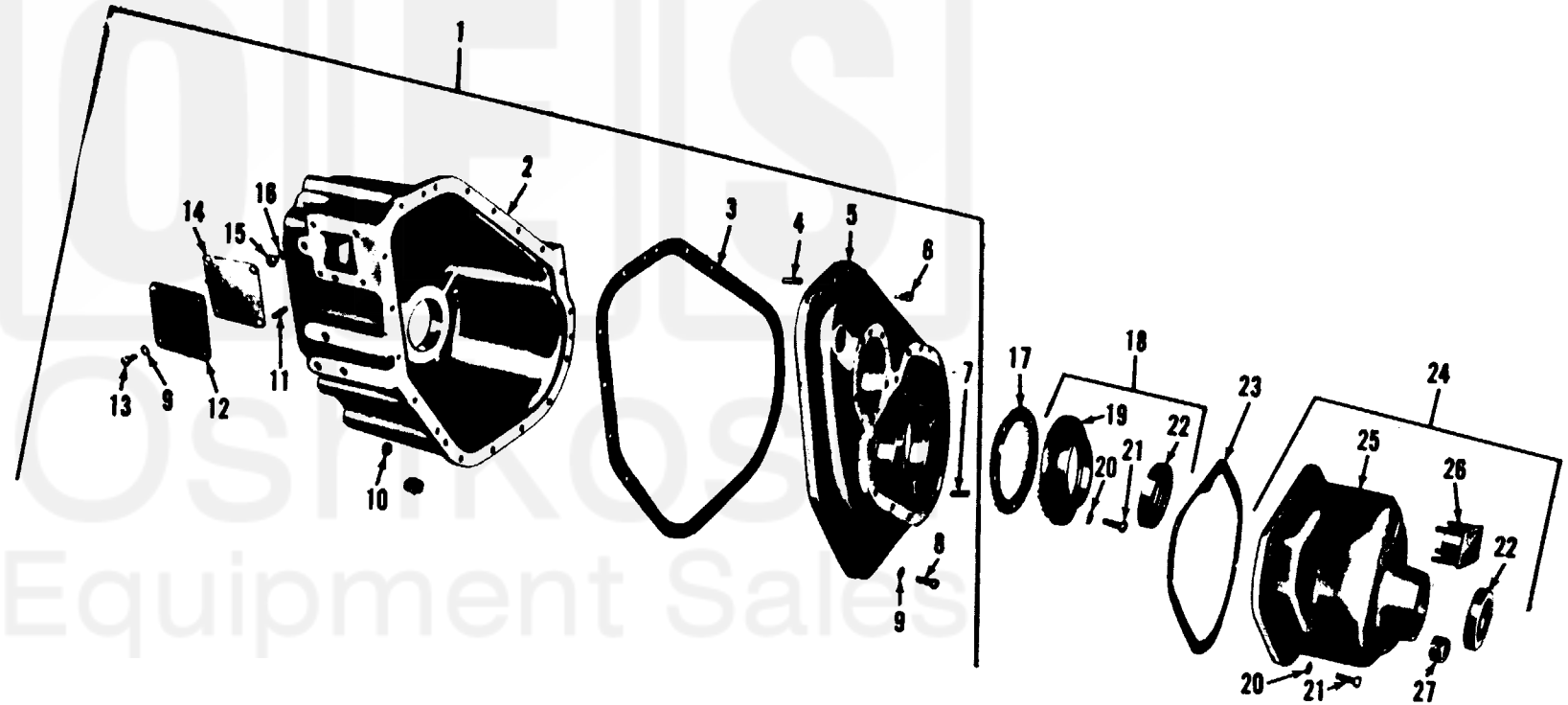


(1) SMR Code	(2) Federal Stock Number	(3) DESCRIPTION	(4) UNIT	(5) Qty	(6) 30-day DS maint	(7) 30-day GS maint	(8) 1-yr	(9) Depot	(10) Illustration	of meas	inc. allowance	allowance	alw per equip	maint alw	(a) Figure No.	(b) Item No.
Reference Number & Mfr. Code			Usable On Code			(a) 1-20	(b) 21-50	(c) 51-100	(a) 1-20	(b) 21-50	(c) 51-100	gcy				
0801-POWER TRANSFER AND FINAL DRIVE ASSEMBLIES-CONTINUED																
P-F	2520-734-6753	SHIM,TRANSFER CASE: 0.0030 REAR BEARING (COMPONENT OF KIT, REPAIR, TRANSFER, FSN 2520-737-5247) 7346753 (19207)	A	EA	1	*	*	*	*	*	*	15	52	13		
P-F	5315-699-8460	PIN,STRAIGHT HEADLESS:REAR BEARING RETAINER 7521237 (19207)	A	EA	1	*	*	*	*	*	*	6	10	52	14	
P-O	4730-954-1281	PLUG: TRANSFER CASE MS49005-4 (96906)	A	EA	1	*	*	*	*	*	*	8	10	52	15	
P-O	4730-045-9835	PLUG,PIPE,MAGNETIC: DRAIN MS49006-14 (96906)	A	EA	1	*	*	*	*	*	*	8	10	52	16	
P-F	2520-741-1067	CASE ASSEMBLY, TRANSFER: 7411067 (19207)	A	EA	1	*	*	*	*	*	*	3	5	53	1	
X1		HOUSING: TRANSFER CASE 7375245 (19207)	A		1									53	2	
X1		GASKET: TRANSFER, CASE COVER (COMPONENT OF GASKET SET, FSN 2520-734-6775) 7375246 (19207)	A		1									53	3	
P-F	5315-010-0360	PIN: TRANSFER CASE 100360 (24617)	A	EA	1	*	*	*	*	*	*	6	10	53	4	
X1		COVER: TRANSFER CASE 8758286 (19207)	A		1									53	5	
P-F	4820-287-6119	VALVE,AIR PRESSURE RELIEF: 43-8575-045-010 (81336)	A	EA	1	*	*	*	*	*	*	6	10	53	6	
X2-F		PIN: TRANSFER CASE COVER 7521442 (19207)	A	EA	1	*	*	*	*	*	*			53	7	
P-F	5305-022-4048	SCREW,CAP,HEXAGON HEAD: COVER FFS85 (81348)	A	EA	19	*	*	*	*	*	*	6	10	53	8	
P-F	5310-209-0965	WASHER,LOCK: COVER MS35338-47 (96906)	A	EA	19	*	*	*	*	*	*	6	10	53	9	
P-F	5310-880-7745	NUT,PLAIN,HEXAGON: COVER TO HOUSING MS51968-11 (96906)	A	EA	19	*	*	*	*	*	*	6	10	53	10	
P-F	5306-208-7375	BOLT, MACHINE: HIGH AND LOW RANGE SHIFTER SHAFT 1DX506 (78500)	A	EA	1	*	*	*	*	*	*	6	10	53	11	
X2-F		PLATE: HOUSING 7346761-(19207)	A	EA	1	*	*	*	*	*	*			53	12	
P-F	5305-558-4181	SCREW,CAP,HEXAGON: PLATE TO HOUSING MS90728-59 (96906)	A	EA	4	*	*	*	*	*	*	6	10	53	13	



AT 47193

Figure 53. Transmission case, covers and gaskets—rear view.